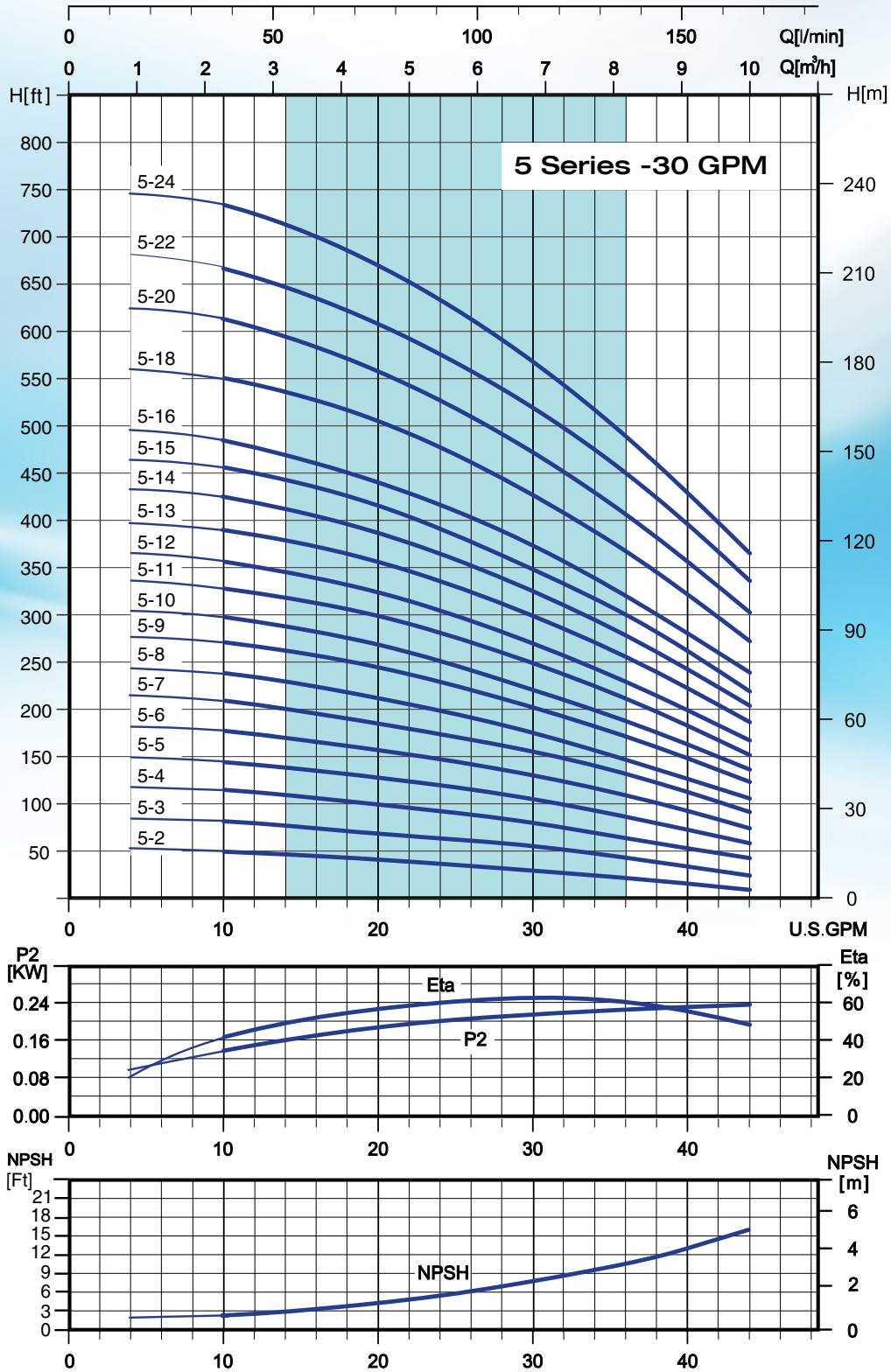
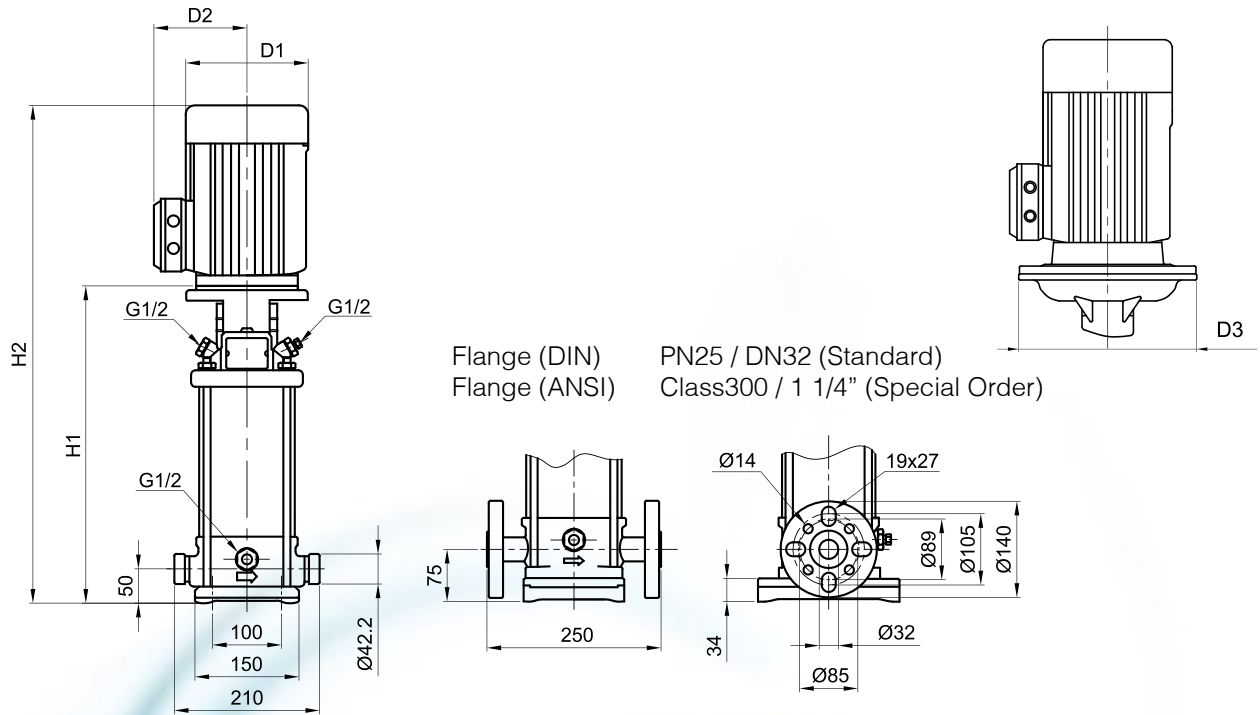




VPS 5 MOTOR IEC



Peso y Dimensiones

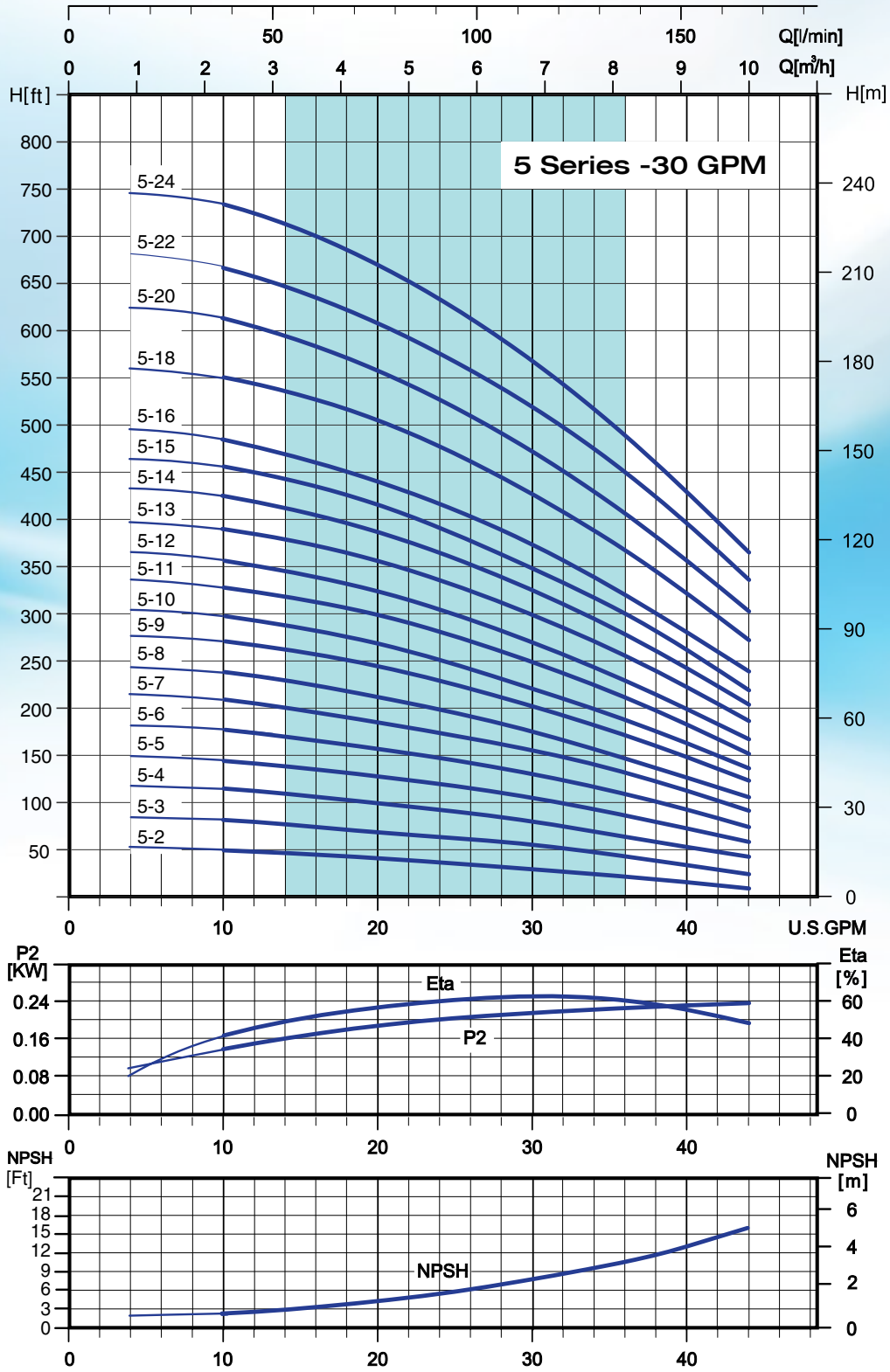


MODELO	HP	ACOPLE	DIMENSIONES Y PESO SERIE VPS - MOTORES IEC									
			H1		H2		D1		D2		PESO NETO	
			in	mm	in	mm	in	mm	in	mm	lbs	kg
TRIFASICO												
VPS 5-2	0.75	80 M	11 1/8	282	19	477	5 5/8	141	4 5/8	115	46	21
VPS 5-3	1.5	80B	12 1/2	315	24	604	7	177	5 5/8	141	67	30
VPS 5-4	1.5	80B	13 1/2	342	25	631	7	177	5 5/8	141	68	31
VPS 5-5	2	90S	15 1/4	385	27	680	7	177	5 5/8	141	78	36
VPS 5-6	3	90L	16 1/4	412	28	707	7	177	5 5/8	141	83	38
VPS 5-7	3	90L	17 3/8	439	29	734	7	177	5 5/8	141	84	39
VPS 5-8	3	90L	18 3/8	466	30	761	7	177	5 5/8	141	86	39
VPS 5-9	3	90L	19 1/2	493	31 1/8	788	7	177	5 5/8	141	87	40
VPS 5-10	4	100L	20 3/4	525	33 1/8	841	8	197	6	147	107	49
VPS 5-11	4	100L	21 3/4	552	34 1/4	868	8	197	6	147	108	49
VPS 5-12	4	100L	23	579	35 1/4	895	8	197	6	147	109	50
VPS 5-13	5.5	112M	24	606	36 3/4	932	8 3/4	220	6 3/8	161	119	54
VPS 5-14	5.5	112M	25	633	38	959	8 3/4	220	6 3/8	161	121	55
VPS 5-15	5.5	112M	26	660	39	986	8 3/4	220	6 3/8	161	122	55
VPS 5-16	5.5	112M	27 1/8	687	40	1013	8 3/4	220	6 3/8	161	123	56
VPS 5-18	7.5	132S	30 3/8	770	44 5/8	1132	9 1/4	235	8	197	171	78
VPS 5-20	7.5	132S	32 1/2	824	46 3/4	1186	9 1/4	235	8	197	174	79
VPS 5-22	7.5	132S	34 5/8	878	49	1240	9 1/4	235	8	197	176	80
VPS 5-24	10	132S	36 3/4	932	52 3/4	1337	9 1/4	235	8	197	191	87

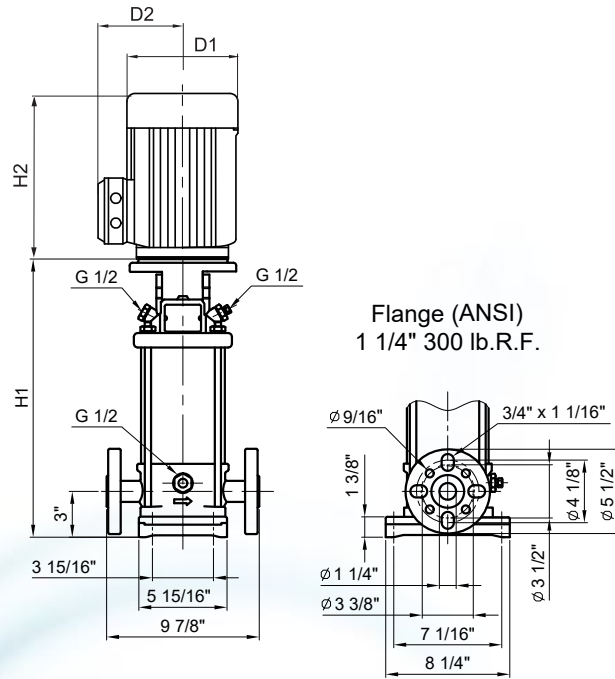
Todas las medidas son de referencia. Los valores podrán cambiar según el modelo del motor.



VPS 5 MOTOR NEMA



Peso y dimensiones



MODELO	HP	ACOPLE	MOTOR ODP	MOTOR TEFC	DIMENSIONES Y PESO SERIE VPS - MOTORES NEMA																					
					H1		H2		H2		D1		D1		D2		D2		D3		D3		PESO NETO		PESO NETO	
					HIDRAULICA		ODP		TEFC		ODP		TEFC		ODP		TEFC		ODP		TEFC		ODP		TEFC	
					in	mm	in	mm	in	mm	in	mm	in	mm	in	mm	in	mm	in	mm	in	mm	in	mm	lbs	kg
MONOFASICO																										
VPS 5-2	0.75	56C	MVB 07F16O	MVB 07F16T	12 1/8	306	10 5/8	270	10	249	6 1/4	158	6 1/4	158	5 1/8	129	5 1/4	132	6	148	6	148	69	32	59	27
VPS 5-3	1	56C	MVB 10F16O	MVB 10F16T	13 1/8	332	11 1/4	284	10 1/8	256	6 5/8	169	7 1/4	183	5 3/4	145	5 3/4	147	6 1/2	165	6 1/2	165	77	35	70	32
VPS 5-4	1.5	56C	MVB 15F16O	MVB 15F16T	14 1/4	359	11 1/4	284	11 1/8	281	7 1/4	183	7 1/4	183	5 3/4	145	5 3/4	147	6 1/2	165	6 1/2	165	88	40	76	35
VPS 5-5	1.5	56C	MVB 15F16O	MVB 15F16T	16	403	11 1/4	284	11 1/8	281	7 1/4	183	7 1/4	183	5 3/4	145	5 3/4	147	6 1/2	165	6 1/2	165	91	42	79	36
VPS 5-6	2	56C	MVB 20F16O	MVB 20F16T	16 3/8	414	11 1/4	284	12	304	7 1/4	183	7 1/4	183	5 3/4	145	5 3/4	146	6 1/2	165	6 1/2	165	106	49	90	41
VPS 5-7	2	56C	MVB 20F16O	MVB 20F16T	17 3/8	441	11 1/4	284	12	304	7 1/4	183	7 1/4	183	5 3/4	145	5 3/4	146	6 1/2	165	6 1/2	165	107	49	91	42
VPS 5-8	3	182TC	MVB 30F16O	MVB 30F16T	19 3/8	492	12 1/2	316	13 3/4	348	9	227	8 5/8	219	5 5/8	143	7	175	9 1/8	230	9	226	103	47	115	53
VPS 5-9	3	182TC	MVB 30F16O	MVB 30F16T	20 1/2	519	12 1/2	316	13 3/4	348	9	227	8 5/8	219	5 5/8	143	7	175	9 1/8	230	9	226	105	48	117	54
VPS 5-10	3	182TC	MVB 30F16O	MVB 30F16T	21 3/4	551	12 1/2	316	13 3/4	348	9	227	8 5/8	219	5 5/8	143	7	175	9 1/8	230	9	226	107	49	119	54
VPS 5-11	5	182TC	-	MVB 50C16T	22 5/8	573	-	-	15 3/8	389	-	-	8 5/8	219	-	-	7	175	-	-	9	226	-	-	139	64
VPS 5-12	5	182TC	-	MVB 50C16T	23 5/8	600	-	-	15 3/8	389	-	-	8 5/8	219	-	-	7	175	-	-	9	226	-	-	140	64
VPS 5-13	5	182TC	-	MVB 50C16T	24 3/4	627	-	-	15 3/8	389	-	-	8 5/8	219	-	-	7	175	-	-	9	226	-	-	142	65
VPS 5-14	5	182TC	-	MVB 50C16T	25 3/4	654	-	-	15 3/8	389	-	-	8 5/8	219	-	-	7	175	-	-	9	226	-	-	143	65
VPS 5-15	5	182TC	-	MVB 50C16T	27	681	-	-	15 3/8	389	-	-	8 5/8	219	-	-	7	175	-	-	9	226	-	-	144	66
VPS 5-16	5	182TC	-	MVB 50C16T	28	708	-	-	15 3/8	389	-	-	8 5/8	219	-	-	7	175	-	-	9	226	-	-	145	66
TRIFASICO																										
VPS 5-2	0.75	56C	MVB 07H36O	MVB 07H36T	12 1/8	306	9 1/4	233	9 3/8	236	6 1/4	158	6 1/4	158	5 1/8	129	5 1/4	132	6	150	6	148	55	25	51	24
VPS 5-3	1	56C	MVB 10H36O	MVB 10H36T	13 1/8	332	10	249	10 1/4	259	6 1/4	158	7	179	5 1/8	129	5 3/4	147	6	150	6 1/2	165	61	28	66	30
VPS 5-4	1.5	56C	MVB 15H36O	MVB 15H36T	14 1/4	359	10 1/4	259	10 1/4	259	7 1/4	183	7	179	5 5/8	143	5 3/4	147	6 1/2	165	6 1/2	165	70	32	71	33
VPS 5-5	1.5	56C	MVB 15H36O	MVB 15H36T	16	403	10 1/4	259	10 1/4	259	7 1/4	183	7	179	5 5/8	143	5 3/4	147	6 1/2	165	6 1/2	165	73	34	74	34
VPS 5-6	2	56C	MVB 20H36O	MVB 20H36T	16 3/8	414	11 1/4	284	11 1/4	284	7 1/4	183	7	179	5 5/8	143	5 3/4	147	6 1/2	165	6 1/2	165	83	38	83	38
VPS 5-7	2	56C	MVB 20H36O	MVB 20H36T	17 3/8	441	11 1/4	284	11 1/4	284	7 1/4	183	7	179	5 5/8	143	5 3/4	147	6 1/2	165	6 1/2	165	84	39	84	39
VPS 5-8	3	182TC	-	MVB 30H36T	19 3/8	492	-	-	12 1/2	316	-	-	7 1/4	183	-	-	5 3/4	146	-	-	9	226	-	-	92	42
VPS 5-9	3	182TC	-	MVB 30H36T	20 1/2	519	-	-	12 1/2	316	-	-	7 1/4	183	-	-	5 3/4	146	-	-	9	226	-	-	94	43
VPS 5-10	3	182TC	-	MVB 30H36T	21 3/4	551	-	-	12 1/2	316	-	-	7 1/4	183	-	-	5 3/4	146	-	-	9	226	-	-	96	44
VPS 5-11	5	182TC	MVB 50H36O	MVB 50H36T	22 5/8	573	13 5/8	344	13 3/4	348	9	227	8 1/2	216	5 5/8	143	7	175	9 1/8	230	9	226	111	51	122	56
VPS 5-12	5	182TC	MVB 50H36O	MVB 50H36T	23 5/8	600	13 5/8	344	13 3/4	348	9	227	8 1/2	216	5 5/8	143	7	175	9 1/8	230	9	226	112	51	123	56
VPS 5-13	5	182TC	MVB 50H36O	MVB 50H36T	24 3/4	627	13 5/8	344	13 3/4	348	9	227	8 1/2	216	5 5/8	143	7	175	9 1/8	230	9	226	114	52	125	57
VPS 5-14	5	182TC	MVB 50H36O	MVB 50H36T	25 3/4	654	13 5/8	344	13 3/4	348	9	227	8 1/2	216	5 5/8	143	7	175	9 1/8	230	9	226	115	53	126	58
VPS 5-15	5	182TC	MVB 50H36O	MVB 50H36T	27	681	13 5/8	344	13 3/4	348	9	227	8 1/2	216	5 5/8	143	7	175	9 1/8	230	9	226	116	53	127	58
VPS 5-16	5	182TC	MVB 50H36O	MVB 50H36T	28	708	13 5/8	344	13 3/4	348	9	227	8 1/2	216	5 5/8	143	7	175	9 1/8	230	9	226	117	54	128	59
VPS 5-18	7.5	213TC	-	MVB 75H36T	30 5/8	777	-	-	15 1/4	386	-	-	8 5/8	219	-	-	6	151	-	-	9	226	-	-	162	74
VPS 5-20	7.5	213TC	-	MVB 75H36T	32 3/4	831	-	-	15 1/4	386	-	-	8 5/8	219	-	-	6	151	-	-	9	226	-	-	165	75
VPS 5-22	7.5	213TC	-	MVB 75H36T	35	885	-	-	15 1/4	386	-	-	8 5/8	219	-	-	6	151	-	-	9	226	-	-	167	76
VPS 5-24	7.5	213TC	-	MVB 75H36T	37	939	-	-	15 1/4	386	-	-	8 5/8	219	-	-	6	151	-	-	9	226	-	-	170	78